

# INSTALLATION

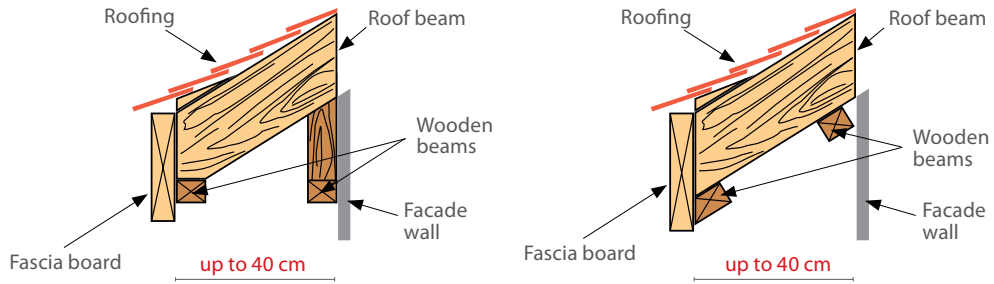
The SOFFIT system should be assembled on the wooden grill using nails or screws with large head. It is necessary to leave a small clearance between the nail/screw head and the surface of the SOFFIT in order to ensure the thermal expansion of the material. The installation should be performed at temperature higher than 0°C.

The SOFFIT system should be used only for lining the eaves of buildings.

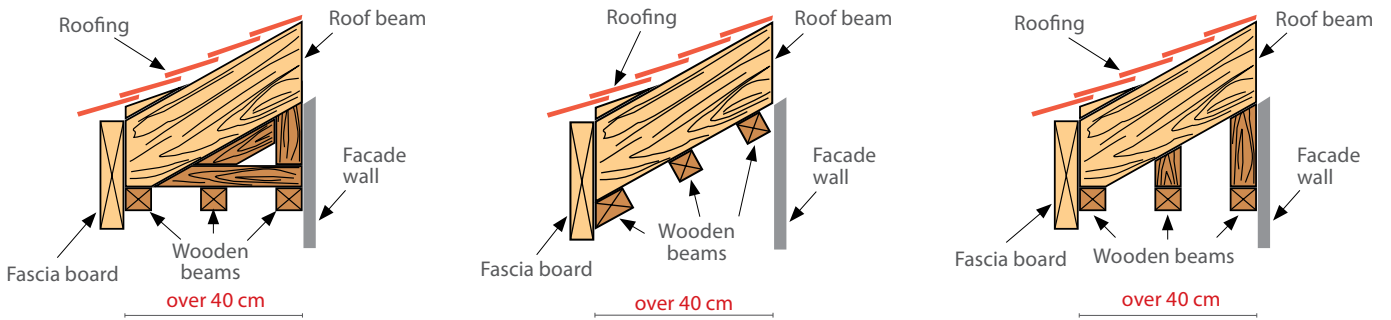
1. The wooden grill must be impregnated and leveled. Use beams with minimum cross section 25 mm x 50 mm.

## Examples of supporting wooden grill depending on eaves width

### Eaves width up to 40 cm

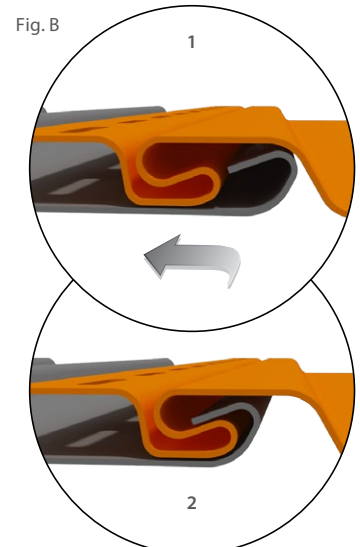
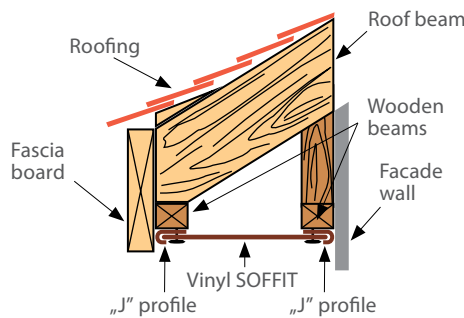
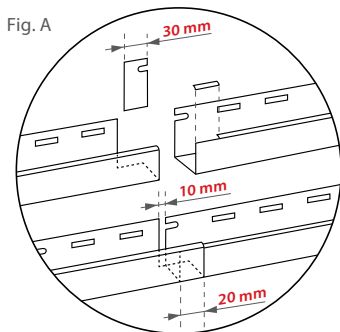


### Eaves width over 40 cm



2. The „J” profiles are mounted to the wooden structure along the eaves as shown in Fig. A. All „J” profiles are attached to the beams at every 40 cm.

## Examples of „J” profile installation



3. The SOFFIT panels cut to the required size are installed into the „J” profiles and are fixed to the wooden grill structure. The panels are joined by “click” system, as shown in Fig. B. It is recommended to mount the SOFFIT panel in perpendicular direction to the eaves. The system allows installation also lengthwise or at an angle. In such cases the panels should be fixed with fasteners at every 30 cm.